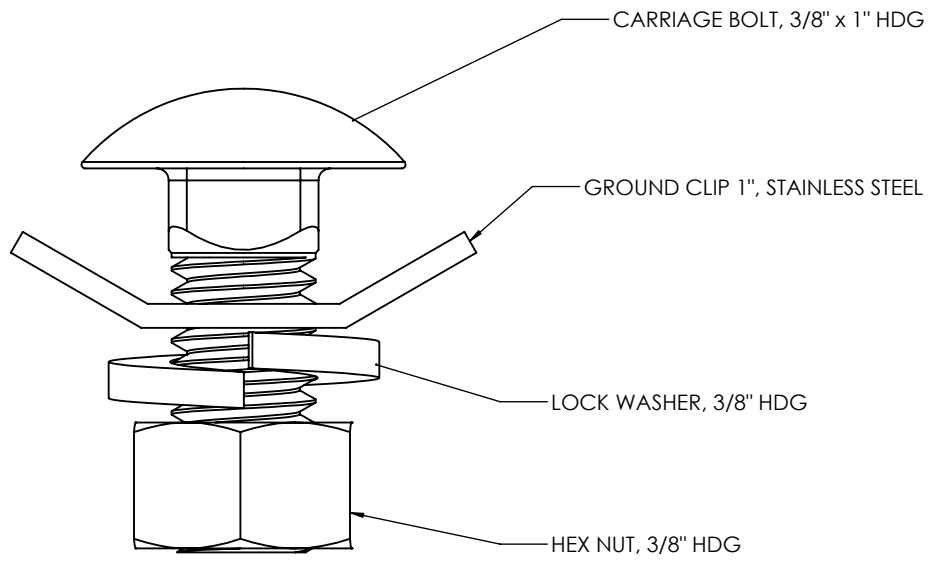


8 7 6 5 4 3 2 1

- NOTES:  
 1. MATERIAL: STEEL (STAINLESS & CARBON)  
 2. COATING - HOT DIP GALVANIZED (WHERE NOTED)  
 3. DIMENSIONS IN INCHES

PAPER SIZE		DRAWING NUMBER	
A		GRD-LUG-ASSY	
ISS	REVISED BY:	REVISION DATE	ECO #



D  
C  
B  
A

D  
C  
B  
A

This drawing contains confidential information that is the property of SALco, Inc. (Street and Area Lighting Company). Use of SALco's confidential information without SALco's express written consent is strictly prohibited and may expose you to legal liability. If you believe that you received this material in error, please destroy it or return it to "SALco, Inc., 1421 Hildegard Drive, Birmingham, AL. 35215."

TOLERANCE BLOCK			
DECIMALS (IN)		ANGLES	
.X	.125	X°	3°
.XX	.031	X.X°	1°
.XXX	.015	X.XX°	.5°

**SALco, Inc.**  
 STREET AND AREA LIGHTING COMPANY  
 WWW.SALCOINC.NET

DRAWING NUMBER: <b>GRD-LUG-ASSY</b>	
SHEET NAME: <b>Sheet1</b>	1 OF 1
DRAWING DESCRIPTION: <b>GROUND LUG ASSY 3/8" x 1"</b>	
DRAWN BY: MW	DESIGN DATE: 06/19/2024

8 7 6 5 4 3 2 1